



HIC products are proudly distributed by

NUCMEDCOR

P.O. Box 29475  
San Francisco, CA 94129

**Huayi Isotopes Co.**

*The leading manufacturer of Oxygen 18 Water & PET Precursors*

**FILL-EASE™**

**Sterile Vial**

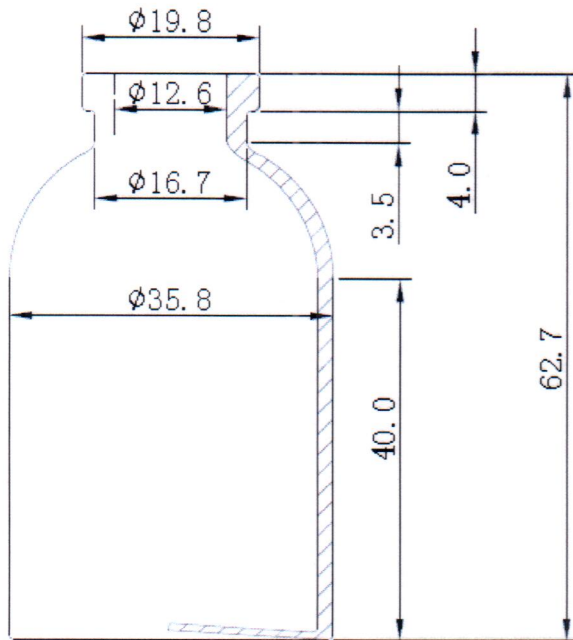
**According to cGMP Requirement**

Catalog No.: SV-30C02  
Lot No.: SV-30C02-191001

Date of Manufacturing: Oct. 2019  
Expiry Date: Oct. 2021

**Product Description**

Unit: mm



Filling Volume: 33.0ml±1.0ml  
Height: 62.7mm±0.5mm  
Thickness of bottle-lip: 4.0mm±0.3mm  
Height of bottle-neck: 3.5mm±0.3mm  
Effective height of bottle-body: 40.0mm±1.0mm  
Outer diameter of bottle-mouth: 19.8mm±0.2mm  
Inner diameter of bottle-mouth: 12.6mm±0.2mm  
Outer diameter of bottle-neck: 16.7mm±0.5mm  
Body diameter: 35.8mm±0.3mm  
Material: Neutral borosilicate glass  
(PB-011)  
Sealing type: Chlorobutyl rubber stopper  
(PC-024)  
Cap: 20mm central hole cap  
(PA-041)

**Note**

- The product should be stored at room temperature.
- Manufactured according to requirements of cGMP, ISO 9001 and ISO 13485.
- We certify that all test results meets the acceptable criteria of Huayi specification current QS-SV.
- Tested for sterility and Bacterial endotoxins.

**Drafted**

Xingqi Huang

Date: 2019.11.25

**Reviewed**

Siqing Lv

Date: 2019.11.25

**Approved**

Jie Shen

Date: 2019.11.25



# Huayi Isotopes Co.

*The leading manufacturer of Oxygen 18 Water & PET Precursors*

## FILL-EASE™

### Sterile Vial

#### According to cGMP Requirement

Catalog No.: SV-30C02

Lot No.: SV-30C02-191001

Date of Manufacturing: Oct. 2019

Expiry Date: Oct. 2021

### Certificate of Analysis

Step/Procedure	Method	Specification	Result
<b>Materials</b>			
Vial	Current USP<660> Current EP<3.2.1>	Neutral borosilicate glass; PB-011	Lot No.: 1903003
Stopper	Current USP<381> Current EP<3.2.9>	Chlorobutyl rubber stopper, no latex; PC-024	Lot No.: 1906025
Cap	In house	20mm central hole cap; PA-041	Lot No.: 1906033/1907037
Appearance	Visual inspection	Integrity ,no obvious spots and scratches	Integrity ,no obvious spots and scratches
Test for sterility	Current USP<71> Current EP<2.6.1>	Passed test	Passed test
Bacterial Endotoxin	Current USP<85> Current EP<2.6.14>	≤ 0.25 EU/mL	Conforms
Particles, ≥25 μm	Current USP<788> Current EP<2.9.19>	< 150	33
Particles, ≥10 μm	Current USP<788> Current EP<2.9.19>	< 1500	49
Sealing Capacity	In house	No leak	No leak